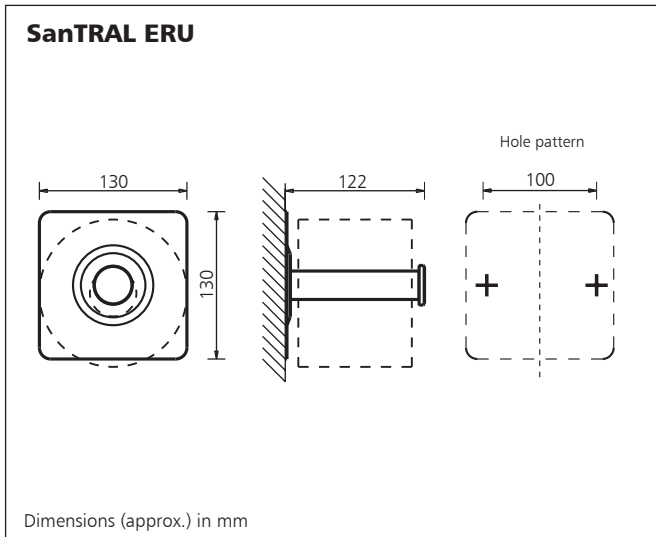
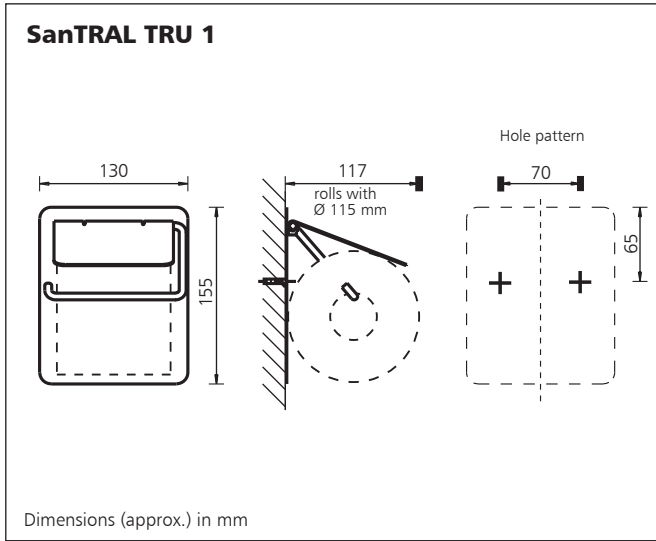


SanTRAL® TRU 1 • ERU

dispenser for toilet paper
replacing roll holder
for one toilet paper roll



Ophardt Hygiene-Technik GmbH + Co. KG
Lindenau 27 • D-47661 Issum
Tel.: +49 2835 18-0 • Fax: +49 2835 18-77
E-Mail: info@ophardt.com • www.ophardt.com



Toilet paper dispenser

- ▶ for one toilet paper roll

Replacing roll holder

- ▶ for one toilet paper roll

References:

- ▶ old people's-/nursing homes, hospitals, laboratories, large kitchen, industry, shopping centers, gastronomy and hotels, airports, penal institutions, schools, sport facilities, administrations

Place of application:

- ▶ toilets

Technical Data TRU 1

incl. cover

Back plate: Stainless steel, brushed and ground or powder coated (white RAL 9010)

Bracket: Stainless steel

Wall mounting: with two plugs and steel screws

Technical Data ERU

Material: Stainless steel, brushed and ground or powder coated (white RAL 9010)

Wall mounting: with two plugs and steel screws

Description for tender

..... pcs. **SanTRAL TRU 1 P** **Art.-No. 1411587**
dispenser for toilet paper, 1 standard roll,
stainless steel, powder coated (white RAL 9010)
Dimensions W 130 x H 155 x D 117 mm

..... pcs. **SanTRAL TRU 1 E** **Art.-No. 1411586**
dispenser for toilet paper, 1 standard roll,
stainless steel, brushed and ground
Dimensions W 130 x H 155 x D 117 mm

..... pcs. **SanTRAL ERU P** **Art.-No. 1411589**
replacing roll holder for toilet paper,
1 standard roll,
stainless steel, powder coated (white RAL 9010)
Dimensions W 130 x H 130 x D 122 mm

..... pcs. **SanTRAL ERU E** **Art.-No. 1411588**
replacing roll holder for toilet paper,
1 standard roll,
stainless steel, brushed and ground
Dimensions W 130 x H 130 x D 122 mm

Product:

SanTRAL®

Manufacturer:

OPHARDT HYGIENE-TECHNIK GmbH + Co. KG